

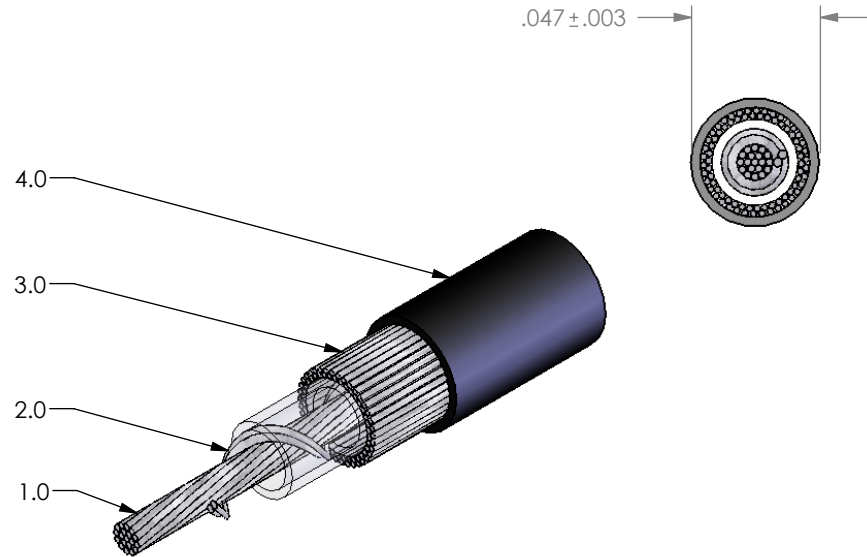
8 7 6 5 4 3 2 1

THE INFORMATION CONTAINED IN THIS DRAWING IS THE SOLE PROPERTY OF JOY SIGNAL TECHNOLOGY ANY REPRODUCTION IN PART OR WHOLE WITHOUT THE WRITTEN PERMISSION OF JOY SIGNAL TECHNOLOGY IS PROHIBITED.


REV	DESCRIPTION	DATE	INITIAL

**SPECIFICATIONS**

- 1.0 SIGNAL CONDUCTOR:  
 SIZE: 30 AWG  
 MATERIAL: SILVER PLATED COPPER  
 CONSTRUCTION: 19 X 42
  - 2.0 INSULATION:  
 FILAMENT(NOM): 2 @ PFA,  $\phi$ .0032", BLUE  
 CORE TUBE:  
 MATERIAL(NOM): FEP, .003" WALL THICKNESS  
 OD(NOM):  $\phi$ .029"
  - 3.0 SHIELD:  
 SIZE: 44 AWG SPC  
 COVERAGE (MIN.): 90%  
 OD: .037"
  - 4.0 JACKET:  
 MATERIAL: POLYURETHANE  
 WALL THICKNESS (NOM.): .005"  
 OD: .047"  $\pm$ .003  
 COLOR: BLACK
  - 5.0 ELECTRICAL CHARACTERISTICS:  
 IMPEDANCE: 50 ohms  $\pm$ 2 ohms  
 CAPACITANCE(NOM): 23.0 pF/ft  
 PROPAGATION DELAY: 1.15  $\pm$ 0.01 ns/ft  
 U.L. STYLE: 10186
- SPECIAL NOTES: SPOOL OD: 12" MAX  
 SPOOL WIDTH: 9" MAX  
 SPINDLE DIA: 1-1/2"  $\pm$ .25"



JOY SIGNAL CATALOG CODE:

ITEM NO.	PART OR IDENTIFYING NO.	NOMENCLATURE OR DESCRIPTION	MATERIAL SPECIFICATION	QTY REQD
PARTS LIST				
UNLESS OTHERWISE SPECIFIED DIMENSIONS ARE IN INCHES TOLERANCES ARE: FRACTIONS DECIMALS ANGLES .XX : $\pm$ .01 .XXX : $\pm$ .005		CAD GENERATED DRAWING, DO NOT MANUALLY UPDATE		 COAX,50 OHM,30 AWG, POLYURETHANE JACKET, FILAMENT INSULATION
MATERIAL SEE NOTES		APPROVALS	DATE	
NEXT ASSY	USED ON	DRAWN	VW 5/19/08	
FINISH --		CHECKED		
APPLICATION		RESP ENG	JJ 5/19/08	
DO NOT SCALE DRAWING		MFG ENG		SIZE A
		QUAL ENG		DWG. NO. 790244
				SCALE
				CAD FILE: 790244
				SHEET 1 OF 1
				REV. 1