

Meritec and Joy Signal Technology have developed a line of Zero Insertion Force (ZIF) assemblies to be used in high cycle count applications. These assemblies have been designed to use conventional springs to normally actuate the connectors and air to de-actuate the connectors. The actuation mechanism is completely contained within the connector. Use of these connectors eliminates the need for pogo pins in high insertion count applications.

FEATURES and BENEFITS

- High density array of contacts, available in 924 and 528 pin connectors
- Connector configurations allow co-planar or perpendicular attachment to the PCB
- ZIF assures no net normal force on the mating board
- Compatible with transmission line and miniature coaxial cable
- Computer controlled welded cable terminations

For the name and location of your nearest Joy Sales Representative, call 530-891-3551 or visit our website at www.joysignal.com.

SPECIFICATIONS

ELECTRICAL

- Current rating - 1.0 AMP (continuous)
- Contact resistance - 25 milliohms (maximum)
- Insulation resistance - $>1 \times 10^9$ ohms @ 500 VDC
- Characteristic Impedance @ 100ps - 50 ± 5 ohm
- Bandwidth - >1 GHz

MECHANICAL

- Contact material - 7025 Olin super alloy
- Dielectric material - Liquid crystal polymer
- Contact finish - 30 micro-inches gold (minimum) over 50 micro-inches nickel (minimum)
- Normal force - 100 grams nominal
- Air pressure to de-actuate: 80psi
- Insertion/Withdrawal Cycles – 10,000 minimum

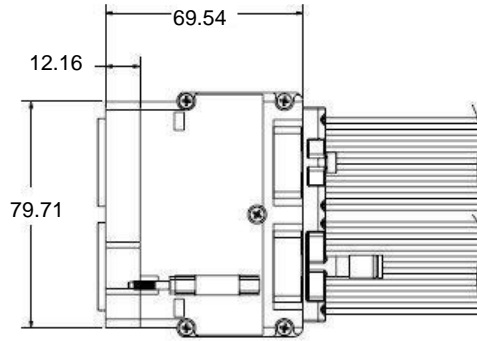
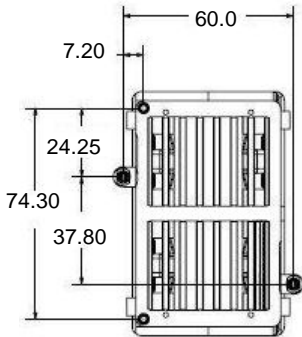
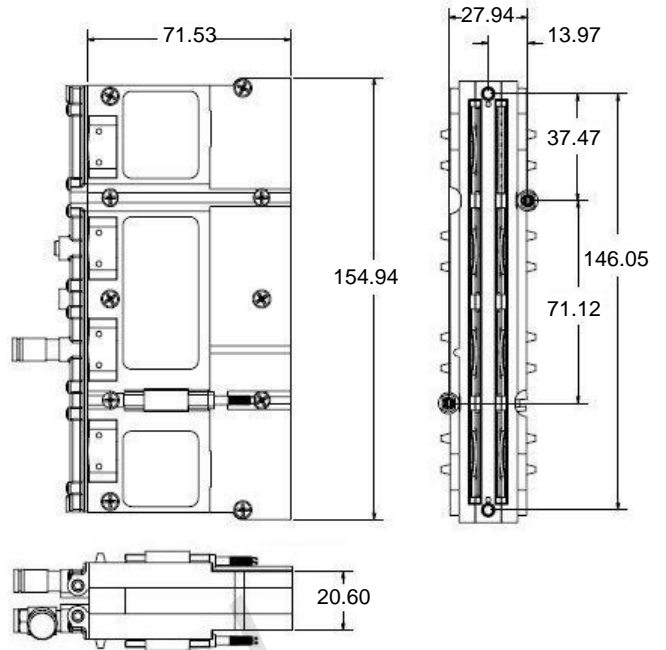
ENVIRONMENTAL

- Material - U.L. rated 94 V-0
- Temperature rating - -20°C to $+100^{\circ}\text{C}$

JOY SIGNAL
TECHNOLOGY
A Meritec Company

Z924 ZIF Cable Assembly

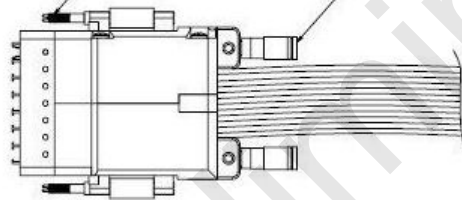
ZIF Custom Cable End Connector 528 Position



3MM MOUNTING HARDWARE
2 PLCS

QD FITTING ACCEPTS 5/32"
DIA. NYLON TUBING OR EQUIV.

ZIF Custom Cable End Connector 924 Position



Compression Mount Connector – 924 Position

